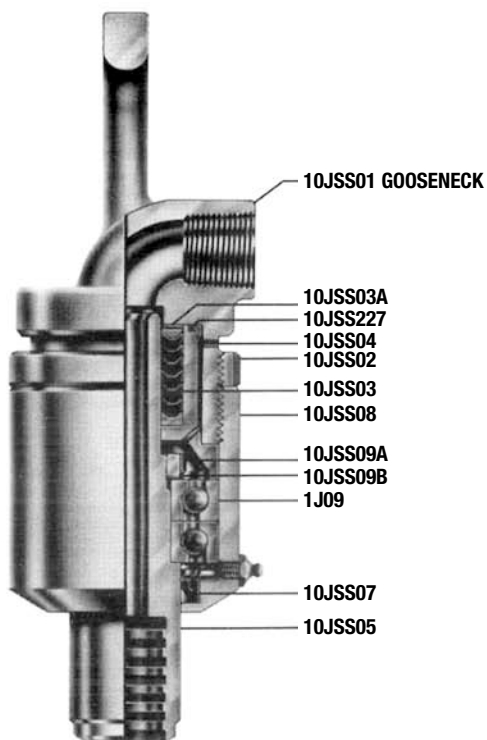
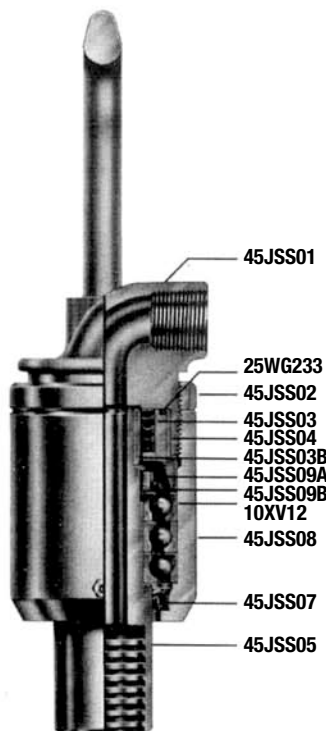


Coring Swivel

10JSS, 45JSS



MODEL 10JSS



MODEL 45JSS

For Core Drilling and High-Speed Drilling

These swivels are designed for high drilling speeds. The bearings are flush ground, high angular contact, giving exceptional thrust and radial stability. They are sealed in the housing and are grease lubricated. The packing is non-adjustable, Chevron V-Type, selected for high-speed applications.

Weights and Dimensional Data

Model	Length Inches	Weight lbs.	Lower Connection	Hose Connection	Watercourse
10JSS	12 3/8"	20	AW	1"	5/8"
45JSS	15 1-4"	27	NW	1 1/4"	1 3/8"

Capacity (Non-Rotating)

10JSS 10,000 lbs.
45JSS 45,000 lbs.

Parts List for Type 10JSS Swivel

Part Number	Name of Part	Number Required	Weight		Spares for One Year Service
			lbs.	ozs.	
N10JSS01	Gooseneck	1	4	2	-
N10JSS02	Lock Nut	1	0	8	-
N10JSS03	Packing Set	1	0	4	6
N10JSS03A	Packing Spring	1	0	0	6
N10JSS04	Packing Box	1	0	8	2
N10JSS05	Spindle	1	1	2	1
N10JSS07	Housing Seal	1	0	1	2
N10JSS08	Bearing Housing	1	4	0	-
N1J09	Bearing	2	1	11	2
N10JSS09A	Bearing Lock Nut	1	0	4	1
N10JSS09B	Bearing Lock Washer	1	0	2	1
N10JSS0227	O-Ring	1	0	0	6

Parts List for Type 45JSS Swivel

Part Number	Name of Part	Number Required	Weight		Spares for One Year Service
			lbs.	ozs.	
N45SS01	Gooseneck	1	2	2	-
N45SS-02	Lock Nut	1	0	8	-
N45SS03	Packing Set	1	0	5	6
N45JSS03B	Wear Sleeve	1	0	5	2
N45JSS04	Packing Box	1	0	8	2
N45JSS05	Spindle	1	2	0	1
N45JSS07	Housing Beal	1	-	-	1
N45JSS08	Bearing Housing	1	5	8	-
N45JSS09A	Bearing Lock Nut	1	0	2	1
N45JSS09B	Bearing Lock Washer	1	0	6	1
N10XV12	Bearing	3	4	2	-
N26WG233	O-Ring	1	0	0	6