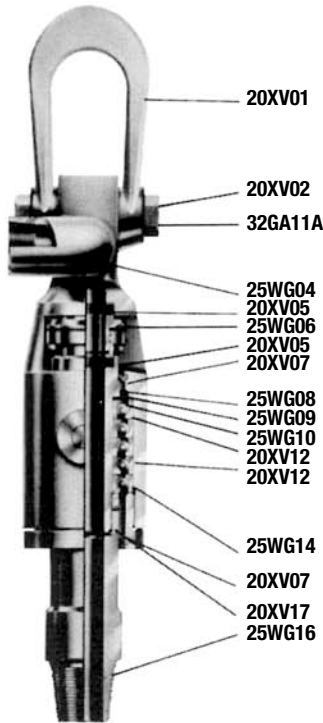


Swivel

25WG



Capacity and Safety Data

Type Swivel	Capacity lbs. at 100 R.P.M.	Static Load	Pulldown Capacity at 100 R.P.M.
25WG	36,000	75,000	30,000

Parts List for Type 25WG Swivel

Part Number	Name of Part	No. Req'd	Net Weight lbs.	Spares for One Year. Service
N20XV01	Bail	1	21	-
N20XV01E	Elevator Shank	1	38	-
N20XV02	Bail Gudgeon Pin	1	4	-
N32GA11A	Bail Pin Nut	2	1 (2)	-
N25WG04	Body	1	85	-
N20XV05	Packing	2	1/4 (2)	8
N25WG06	Wear Bushing	1	2	1
N20XV07	Housing Seal	2	1/2 (2)	2
N25WG08	Spindle	1	14	-
N20XV09	Shield Seal	1	3/8	1
N20XV10	Bearing Shield	1	1/2	-
N20XV12	Bearing	5	17	5
N25WG14	Bearing Housing	1	14	-
N20XV16	Lower Connection	1	17 1/2	-
N20XV17	Spindle Thread Seal	1	-	1
N25WG18	Housing Lock Seal	1	1/4	-
N25WG233	Wear Bushing O-Ring	2	1/4	2

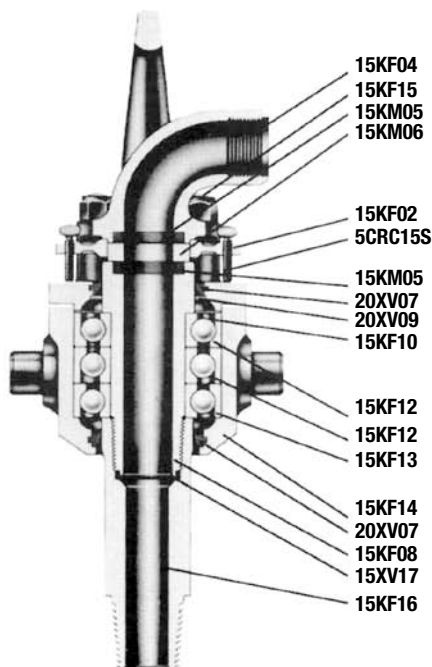
Note: Bearings should be replaced with a matched set.

To Repack Swivel

Screw the (3) three hold screws down until the wear bushing assembly comes together. Remove assembly through window. Remove old packing rings, insert new ones, reinstall bushing and tighten hold screws until proper adjustment is obtained. As packing wears, tighten screws evenly to obtain full life of packing.

Swivel

15KF



Weight And Dimensional Data

Length	Weight	Lower Connection	Hose Connection	Diameter Watercourse
25 1/2"	114 lbs.	2 3/8" API I.F. Tool Joint	2" NPT	1 3/4"

Capacity and Safety Data

Capacity lbs. at 100 R.P.M.	Static Load Limits lbs.	Safe Depths (Feet) With Drill Pipe	
		2 3/8" 6.65 lbs.	2 7/8" 10.4 lbs.
27,000	31,000	2,700	1,800

Parts List for 15KF Swivel

Part Number	Name of Part	No. Req'd	Net Weight lbs.	ozs.
N15KF02	Wear Bushing Retainer	1	1	12
N5CRC15S	Wear Bushing Retainer Screw	2	-	2
N15KF04	Gooseneck	1	32	-
N15KM05	Packing	2	-	2
N15KM06	Wear Bushing	1	1	-
N20XV07	Housing Seal	2	-	6
N15KF08	Bearing Spindle	1	8	12
N20XV09	Shield Seal	1	-	6
N15KF10	Bearing Shield	1	1/2	-
N15KF12	Bearing	3	18	-
N15KF14	Bearing Housing	1	32	-
N15KF15	Bonnets Studs and Nuts	4	2	2
N15KF16	Lower Connection	1	16	-
N15XV17	Spindle Thread Seal	1	-	-

The swivel measures 8 5/16" from end to end of the trunnion pin, 1 9/32" from the shoulder to the pin end; and it has a 2" diameter on the trunnion pin, or to specification.