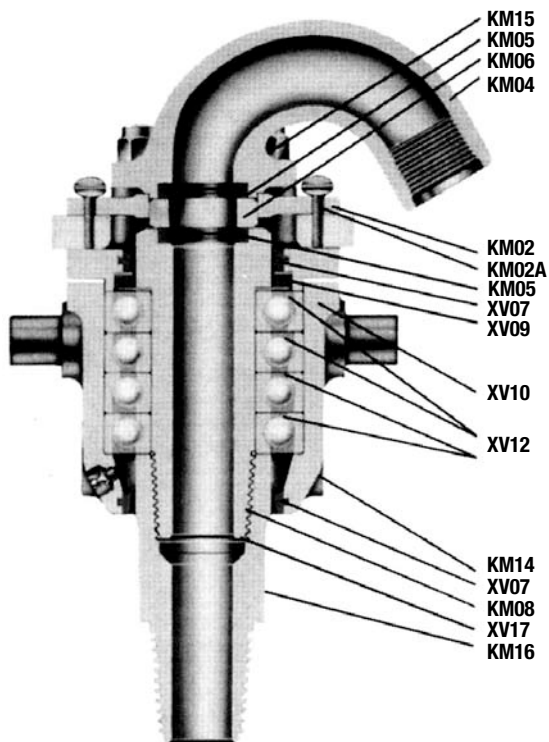


# Swivel

## 2KM, 10KM, 15KM



### For drilling rigs equipped with chain or cable pulldown means

These swivels are intended primarily as replacements on popular makes of pulldown type rigs.

Bails and pull-down yokes are not normally furnished with these swivels. These parts can usually be removed from the old swivels and fitted to the KM Swivel type.

Bails will be furnished, when required, on receipt of adequate specifications.

The bearings are angular-contact ball bearings. They are mounted, in multiple units, so as to absorb thrust loads in either direction. They have ample radial capacity to stabilize the swivels properly.

The packing unit consists of two molded, composition rubber rings. An extremely hard wear ring (wear bushing) is interposed between the packing rings. These packing elements can be renewed within a very few minutes.

The 2KM Swivel is for small geophysical and water well rigs.

The 10KM Swivel is for medium size geophysical, water well and core drilling rigs. The 15KM Swivel is ideally suited to fairly large geophysical, water well and core drilling rigs.

King Swivels are light in weight in comparison to other makes of swivels.

### Parts List for Type 10KM Swivel

Part Number	Name of Part	No. Req'd	WT/lbs. Each	Spares for One Year Service
N10KM01	Bail (Furnished to Order Only)	-	-	-
N10KM02	Wear Bushing Retainer	1	3	1
N10KM02A	Wear Bushing Retainer Screw	4	1/16 (2)	-
N10KM04	Gooseneck	1	30	-
N10KM05	Packing	2	1/4 (2)	8
N10KM06	Wear Bushing	1	1	2
N15XV07	Housing Seal	2	3/8 (2)	2
N10KM08	Bearing Spindle	1	10	-
N15XV09	Shield Seal	1	1/8	1
N15XV10	Bearing Shield	1	1/4	-
N15XV12	Bearings*	4	10	4
N10KM14	Bearing Housing	1	24	-
N10KM15	Bonnet Studs and Nuts	4 ea.	3 (4)	-
N10KM16	Lower Connection	1	11	-
N15XV17	Spindle Thread Seal	1	-	1

### Parts List for Type 15KM Swivel

N15KM01	Bail (Furnished to Order Only)	1	-	-
N15KM02	Wear Bushing Retainer	1	3	-
N10KM02A	Wear Bushing Retainer Screw	4	1/16 (2)	-
N15KM04	Gooseneck	1	24	-
N15KM05	Packing	2	1/8 (2)	8
N15KM06	Wear Bushing	1	1	2
N15XV07	Housing Seal	2	1/4 (2)	2
N15KM08	Bearing Spindle	1	10	-
N15XV09	Shield Seal	1	1/8	1
N15XV10	Bearing Shield	1	1/4	-
N15XV12	Bearings*	5	13	5
N15KM14	Bearing Housing	1	29	-
N10KM15	Bonnet Studs and Nuts	4 ea.	3 (4 ea.)	-
N15KM16	Lower Connection	1	11	-
N15XV17	Spindle Thread Seal	1	-	1

### Weights and Dimensional Data

Type Swivel	Weight, lbs.	Length Overall*	Lower (Kelly) Connection L.H. Tool Pin or L.H. Drill Pipe Thread	Hose Connection	Diam. Water Course
2KM	40	15"	N-Rod; Mayhew 200 or 2 3/8" O.D., 8-V	1 1/2" NPT	1 1/2"
10KM	70	18"	2 3/8" API Reg.; Mayhew 1,000 or 2 7/8" O.D., 8-V	1 1/2" NPT	1 1/2"
15KM	80	19 1/2"	2 7/8" O.D., 8-V, Drill Pipe	2" NPT	2"

\*Length does not include bail.

### Capacities and Safety Data

Type Swivel	Capacity, lbs. at 100 R.P.M.	Static Load Limit, lbs.	Safe Depths (Feet) With Drill Pipe	
			2 3/8" 6.65 lbs.	2 7/8" 10.4 lbs.
2KM	10,000	20,000	1,000	-
10KM	18,000	30,000	1,800	1,200
15KM	27,000	30,000	2,700	1,800

### Parts List for Type 2KM Swivel

Part Number	Name of Part	No. Req'd	WT/lbs. Each	Spares for One Year Service
N2KM01	Bail (Furnished to Order Only)	-	-	-
N2KM02	Wear Bushing Retainer	1	1 1/2	1
N2KM02A	Wear Bushing Retainer Screw w/ Nut	2	1/16 (2)	-
N2KM04	Gooseneck	1	16	-
N2KM05	Packing	2	1/8 (2)	8
N2KM06	Wear Bushing	1	3/4	2
N10XV07	Housing Seal	2	1/4 (2)	2
N2KM08	Bearing Spindle	1	5	-
N10XV09	Shield Seal	1	1/8	1
N10XV10	Bearing Shield	1	1/4	-
N10XV12	Bearings*	4	6	4
N2KM14	Bearing Housing	1	10	-
N2KM15	Bonnet Studs and Nuts	4 ea.	2 (4)	-
N2KM16	Lower Connection	1	5	-
N2KM17	Spindle Thread Seal	1	-	1

\*When bearings are renewed, replace with a new matched set. Do not replace one bearing in an old set. Be sure that bearings have flush ground faces.