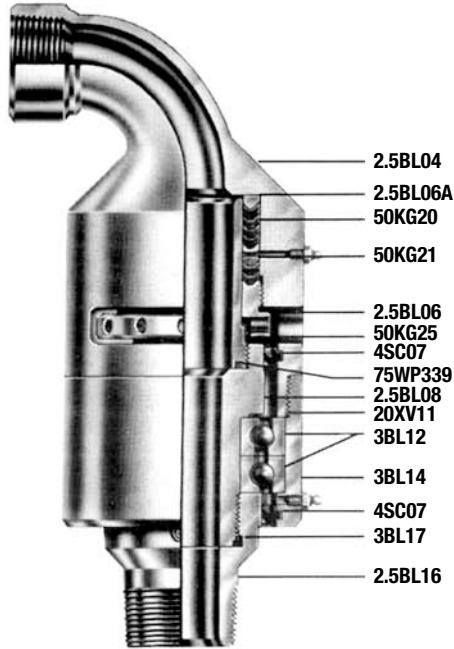
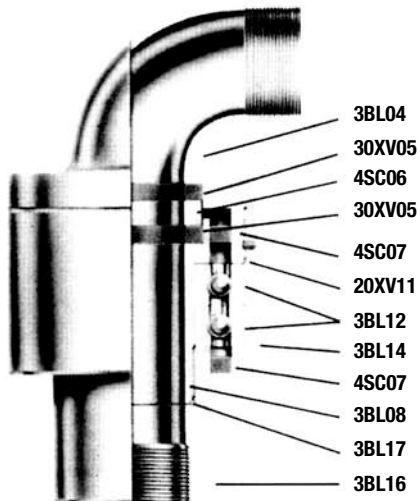


# Rotating Head

## Model 2.5BL, Model 3BL



**MODEL 2.5BL**



**MODEL 3BL**

### For Top-head Drive Drilling Rigs

These rotating heads are designed for large volumes of air or fluid needed on top-head drive rigs.

Precision bearings provide ample thrust and radial load capacity and are grease lubricated.

Short, compact design requires a minimum of space.

The 2.5BL Head is designed for high pressure.

The 3BL Head is designed for low pressure.

### Weights and Dimensional Data

Type Head	Length Inches	Weight lbs.	Lower Conn.* Box or Pin	Hose Conn.	Diameter Watercourse
2.5BL	18"	70	2 1/2" or 3" NPT	2 1/2"	2 1/2" Max
3BL	18"	65	2 1/2" or 3" NPT	3"	3" Max

\*Lower connection per customer spec.; specify RH or LH box or pin.

### Parts List 2.5BL

Part Number	Name of Part	Number Required	Weight lbs.	ozs.	Spares for One Year Service
N2.5BL04	Gooseneck	1	18	0	-
N2.5BL06	Packing Nut	1	1	2	-
N2.5BL06A	Packing Seat Ring	1	0	4	3
N4SC07	Housing Seal	2	0	4	2
N2.5BL08	Spindle	1	8	0	-
N20XV11	Bearing Retainer Wire	1	0	2	1
N3BL12	Bearing	2	6	0	2
N3BL14	Bearing Housing	1	10	0	-
N2.5BL16	Lower Connection	1	15	0	-
N3BL17	Spindle Thread Seal	1	0	4	1
N50KG20	Packing	1 set	0	8	6
N50KG21	Lantern Ring	1	1	0	1
N50KG25	Washpipe	1	4	8	3
N75WP339	O-Ring	1	0	1	3

### Parts List 3BL

Part Number	Name of Part	Number Required	Weight lbs.	ozs.	Spares for One Year Service
N3BL04	Gooseneck	1	18	0	-
N4SC06	Wear Bushing	1	1	0	1
N30XV05	Packing	2	0	4	4
N4SC07	Housing Seal	2	0	4	2
N3BL08	Spindle	1	8	0	-
N20XV11	Retainer Wire	1	0	4	-
N3BL12	Bearing	2	12	0	2
N3BL14	Bearing Housing	1	10	0	-
N3BL16	Lower Connection	1	15	0	-
N3BL17	Spindle Seal	1	0	4	1