

Rotating Head

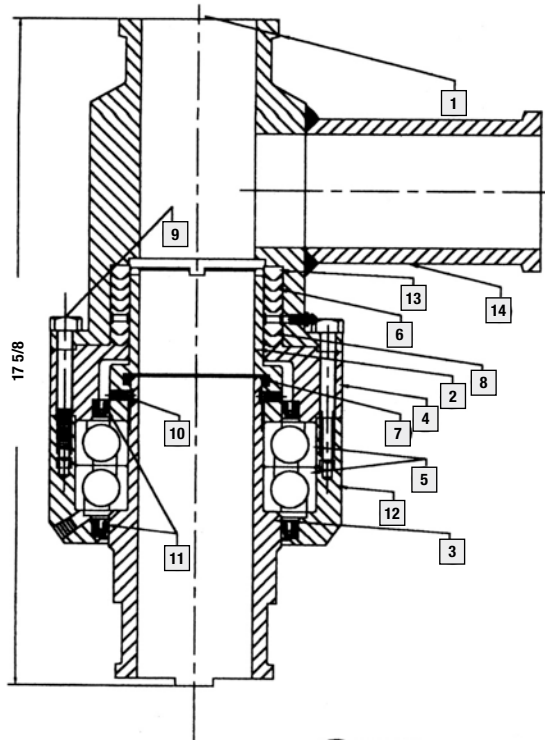
3APE

The 3APE rotating head was designed as a rotating head, not as a load carrying swivel. This unit was designed for pressures exceeding 250 P.S.I., up to 1,500 P.S.I. and is equipped with Chevron V-Type packing and a hardened and ground washpipe.

Two zerks fittings are provided on the 3BL14 bearing housing for bearing lubrication, and on the APE gooseneck for packing lubrication. A good grade of molybdenum base grease is recommended.

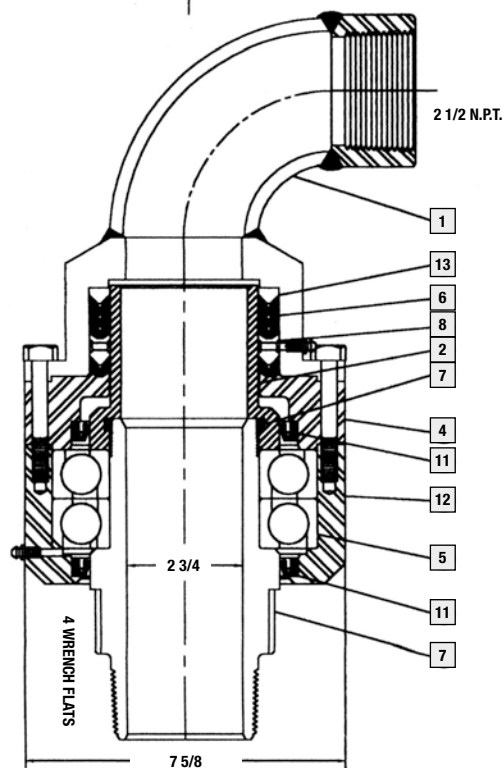
3APE Rotating Head

Item #	Description	Part Number
1	Gooseneck	N3APE01
2	Washpipe	N3APE25
3	Stem	N3APE07
4	Adapter Plate	N3APE04
5	Bearing (2)	N3BL12
6	Packing Set (4 Rings)	N50KG20
7	O-Ring	N3BL340
8	Lantern Ring	N50KG21
9	Stud (10)	B038C350HNNB
10	Set Screw (2)	B025C025XXXS
11	Grease Seal (2)	N3APE10
12	Bearing Housing	N3APE05
13	Packing Adapter	N2.5BL06A
14	Side Connector	N3APE01A



3APE Rotating Head

Item #	Description	Part Number
1	Gooseneck	N3APE01S
2	Washpipe	N3APE25
3	Stem	N3APE0707ALHP
4	Adapter Plate	N3APE04
5	Bearing (2)	N3BL12
6	Packing Set (4 Rings)	N50KG20
7	O-Ring	N3BL340
8	Lantern Ring	N50KG21
9	Stud (10)	B038C350HNNB
10	Set Screw (2)	B025C025XXXS
11	Grease Seal (2)	N3APE10
12	Bearing Housing	N3APE05
13	Packing Adapter	N2.5BL06A



W/3" N.P.T. THD L.H. PIN