

Circulating Heads

4SC, 5SC, 7SC

Fire wire coring, sidewall coring, sampling and well logging

These units have ample thrust and radial bearing capacities to withstand continuous rotation over long periods of time. Bearings are grease lubricated and enclosed in an alloy steel housing. A short, compact design requires minimum space.

Connections

Lower connection: 4 1/2" API IF RH PIN*
 Upper connection: 4" female line pipe*
 Hose connection: 3" female line pipe*

*Other connections available at customer request.

Weights and Dimensions

Model	Overall Length	Fluid Passage	Working Pressure	Weight lbs.	Export Weight lbs.
4SC	25 3/4"	3"	3,000 P.S.I.	175	230
5SC	34"	3"	6,000 P.S.I.	185	245
7SC	40"	2 3/4"	10,000 P.S.I.	460	500

Parts List 4SC

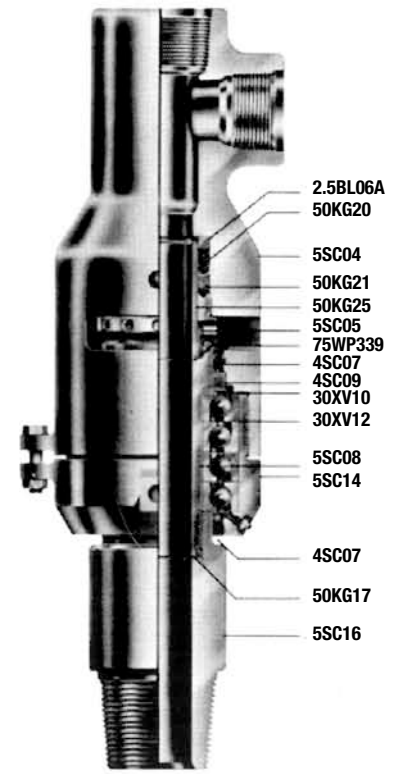
Part No.	Name of Part	Number Required	Weight lbs.	Spares for One Year Service
N4SC04	Body	1	70	-
N30XV05	Packing	2	1/4 (2)	4
N4SC06	Wear Bushing	1	1	1
N4SC07	Housing Seal	2	1/2 (2)	2
N4SC08	Bearing Spindle	1	18	-
N4SC09	Felt Seal	1	1/4	1
N4SC10	Bearing Shield	1	1/2	-
N4SC12	Bearings	4	4	4
N4SC14	Bearing Housing	1	18	-
N50KG15	Housing Lock Bolt	1	1/2	-
N4SC16	Lower Connection	1	50	-
N50KG17	Spindle Thread Seal	1	1/4	1

Parts List 5SC

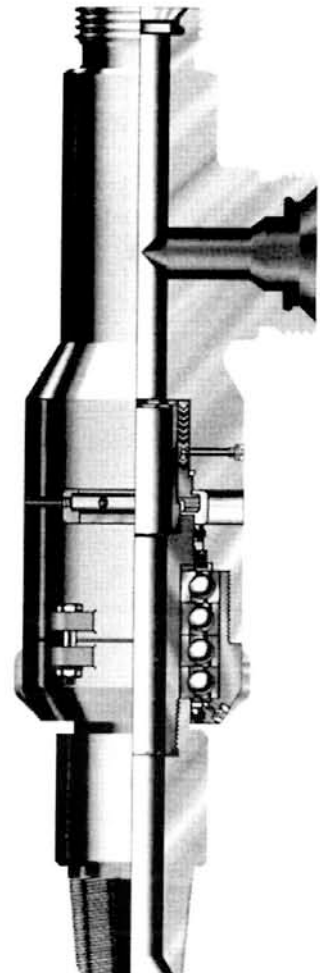
Part No.	Name of Part	Number Required	Weight lbs.	Spares for One Year Service
N5SC01	Body	1	75	-
N2.5 BL06	Packing Nut	1	4	-
N2.5BL06A	Packing Seat Ring	1	1/8	2
N4SC07	Housing Seal	2	1/2 (2)	2
N5SC08	Bearing Spindle	1	22	-
N30XV09	Shield Seal	1	1/2	1
N30XV10	Bearing Shield	1	3/4	-
N30XV12	Bearings	4	4	4
N5SC14	Bearing Housing	1	45	-
N50KG15	Housing Lock Bolt	1	1/4	-
N5SC16	Lower Connection	1	50	-
N50KG17	Spindle Thread Seal	1	1/4	1
N50KG20	Packing	1	1/2	2
N50KG21	Lantern Ring	1	1	1
N50KG25	Washpipe	1	4 1/2	2
N75WP339	O-Ring	1	-	2

Parts List 7SC

Part No.	Name of Part	Number Required	Weight lbs.	Spares for One Year Service
N7SC04	Body	1	75	-
N2.5 BL06	Packing Nut	1	4	-
N2.5BL06A	Packing Seat Ring	1	1/8	2
N4SC07	Housing Seal	2	1/2 (2)	2
N5SC08	Bearing Spindle	1	22	-
N30XV09	Shield Seal	1	1/2	1
N30XV10	Bearing Shield	1	3/4	-
N30XV12	Downthrust Bearing	4	4	4
N5SC14	Bearing Housing	1	45	-
N50KG15	Housing Lock Bolt	1	1/4	-
N5SC16	Lower Connection	1	50	-
N50KG17	Spindle Thread Seal	1	1/4	1
N50KG20	Packing	1	1/2	2
N50KG21	Lantern Ring	1	1	1
N50KG25	Washpipe	1	4 1/2	2
N75WP339	O-Ring	1	-	2



MODEL 5SC



MODEL 7SC