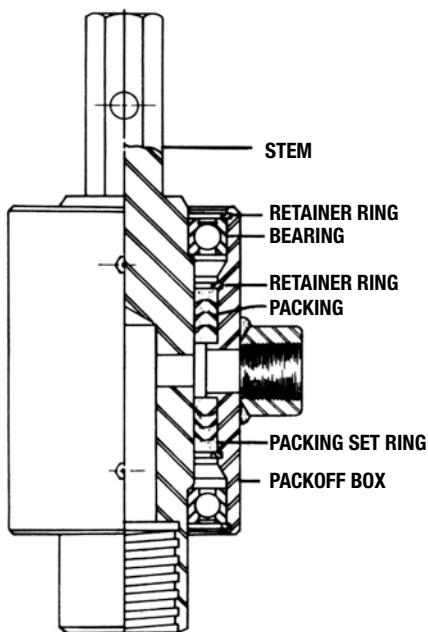


Side-Inlet Swivel

HAW/HNW, IFDC



HAW/HNW SWIVEL

HAW/HNW

These swivels fill the need when conventional swivels cannot be used.

These side-feed swivels feature grease-lubricated, pressure-energized, non-adjustable Chevron V-Type packing and upper and lower ball bearings for radical loads. They are suitable for air or mud drilling.

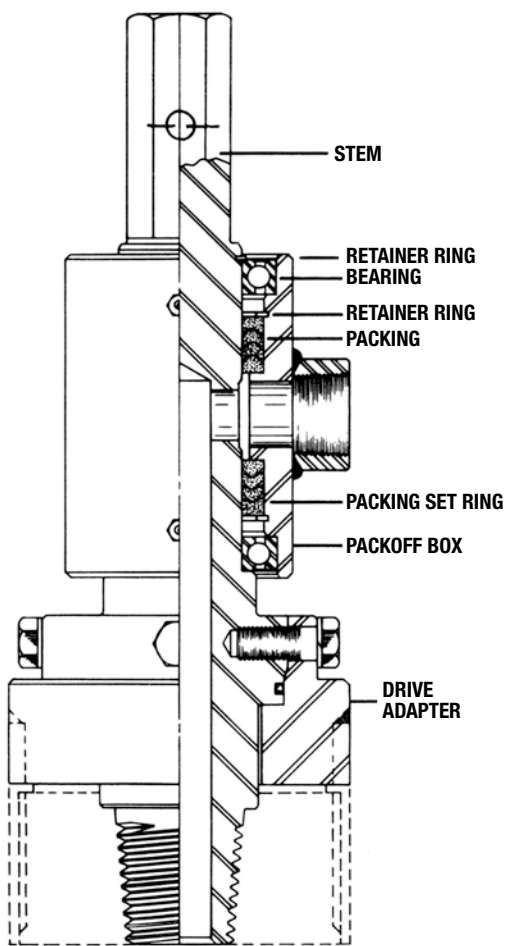
Although designed for many hours of drilling, these swivels can be easily repacked in the field for extended service.

Weights and Dimensional Data

	Length	Width	Weight lbs.	Upper Connection	Lower Connection	Water-course	Hose Connection
HAW	13-1/2"	4"	22	1 5/8" HEX	AW BOX	5/8"	1" NPT
HAW	14-1/16"	5"	35	1 5/8" OR 2" HEX	NW BOX	1-3/8"	1-1/4" NPT

Parts Lists

Part No.	Name	Requires	Part No.	Name	Requires
HAW 1-01	Stem, AW RH Box	1	HNW-01	Stem, NW RH Box	1
HAW 1-04	Packoff Housing	1	HNW-04	Packoff Housing	1
HAW 1-05	Packing Set	2	HNW-05	Packing Set	2
HAW 1-26	Bearings	2	75WP-16A	Packing Seat Ring	2
HAW 1-325	Packing Retainer	2	HNW-26	Bearings	2
HAW 1-354	Bearing Retainer	2	HNW-400W	Packing Retainer	2
			HNW-433W	Bearing Retainer	2



IF-DC SWIVEL

IFDC

The IFDC Swivel is designed for wet augering or grouting without moving the rig. A semi-finished, bolt-on adapter accepts drive caps 4 1/4" through 6 1/2".

Weights and Dimensional Data

	Length	Width	Weight lbs.	Upper Connection	Lower Connection	Water-course	Hose Connection
IFDC	20 7/8"	7 1/2"	85	2" HEX	2-3/8" IF RHP	1-3/8"	1-1/2" NPT

Parts Lists

Part No.	Name	Requires	Part No.	Name	Requires
IFDC01FE	Stem, 2-3/8" IF RH Pin	1	NWDC275W	Bearing Retainer	1
NWDC04	Packoff Housing	1	NWDC375W	Packing Retainer	1
NWDC05	Packing Set	2	IFDC45	Drive Cap Adapter	1
NHNW26	Bearings	2	10MB347	O-Ring Adapter	1